

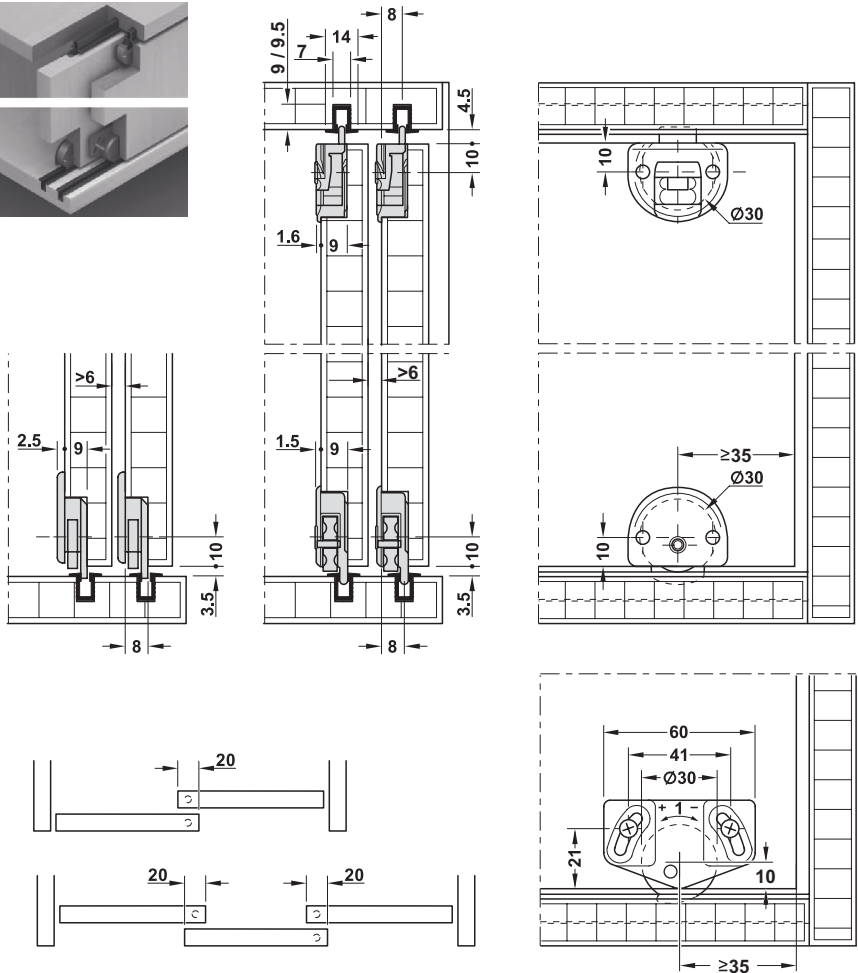
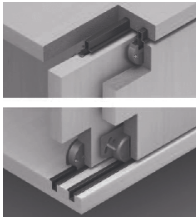


Slido F-Line12 30B

404.22.000	404.22.012	404.22.025
404.22.001	404.22.013	404.22.026
404.22.006	404.22.018	404.22.027
404.22.007	404.22.019	404.22.028

i


„mm“



732.24.063

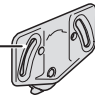
[WS149]

HDE 19.07.2024



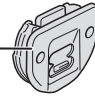
404.22.151
404.22.751
404.21.101

2x **A₁**



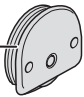
404.21.109
404.21.709
404.21.200

2x **B₁**



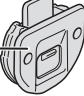
404.22.106
404.22.105
404.21.100

2x **A₂**



404.21.154
404.22.153
404.21.201

2x **B₂**

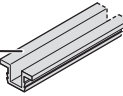


+

404.14.133
404.14.313
404.14.713
404.14.913

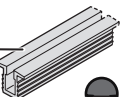
15 kg

C₁



14
1
7
9


C₂

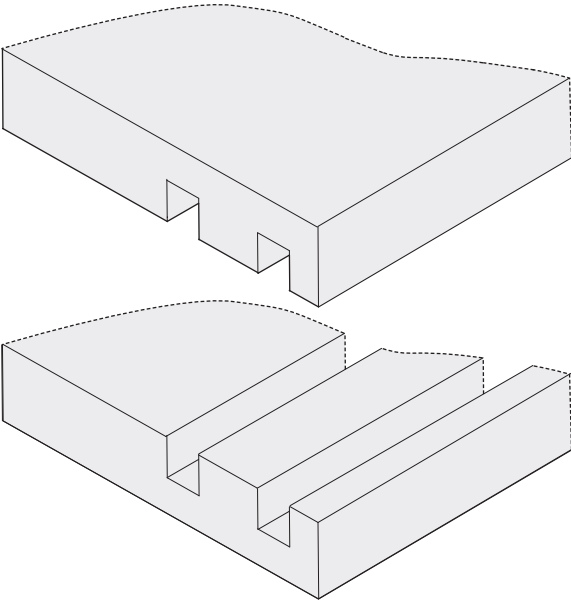


13.3
1.2
8.3
7.2

404.16.904 **30 kg**

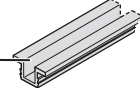
1

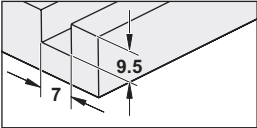




404.14.133 404.14.913
404.14.313 404.16.904
404.14.713

C₁





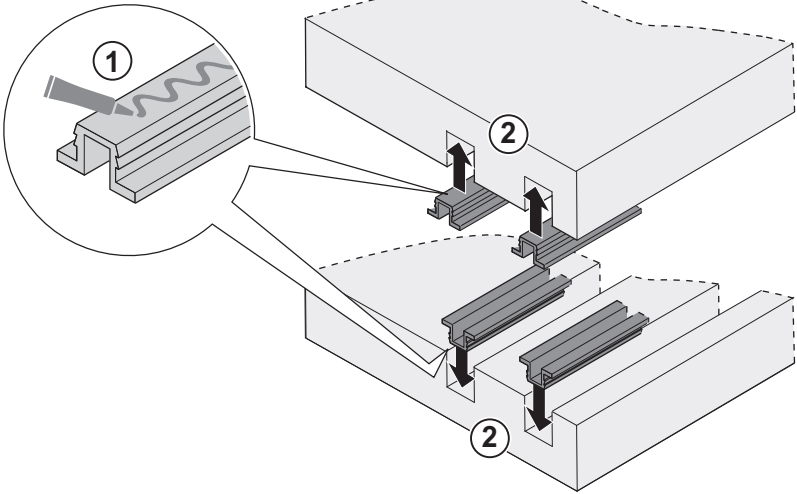
9.5
7

732.24.063

[WS149]

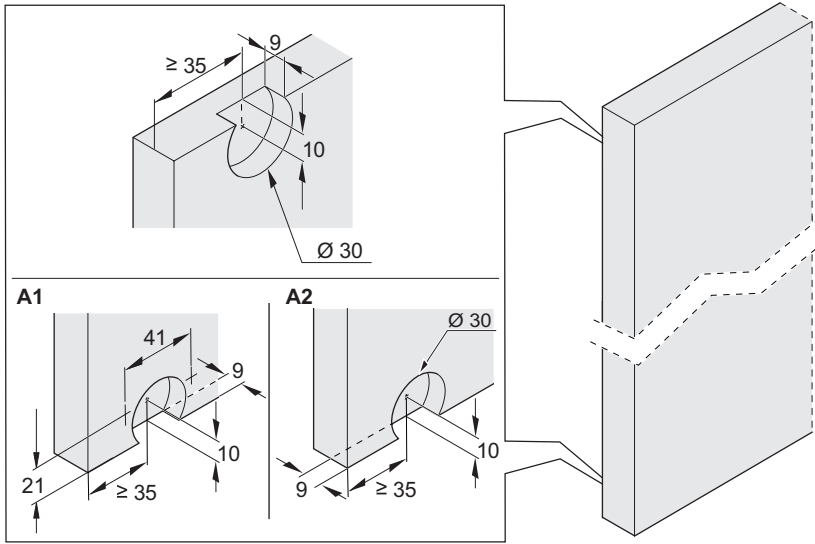
HDE 19.07.2024

2



732.24.063

3



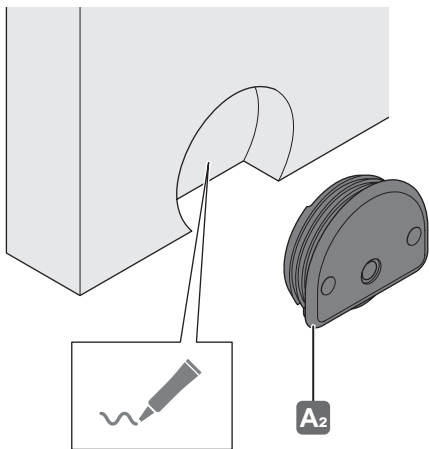
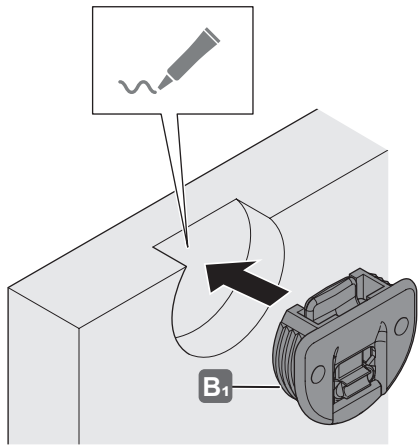
[WS149]

HDE 19.07.2024

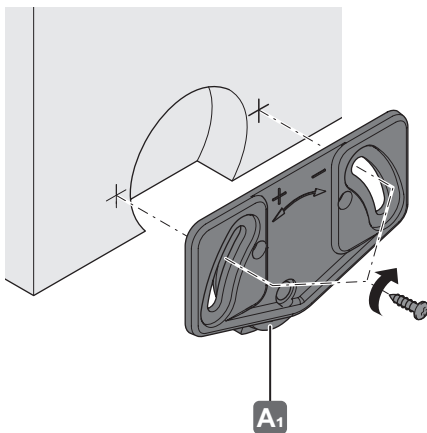
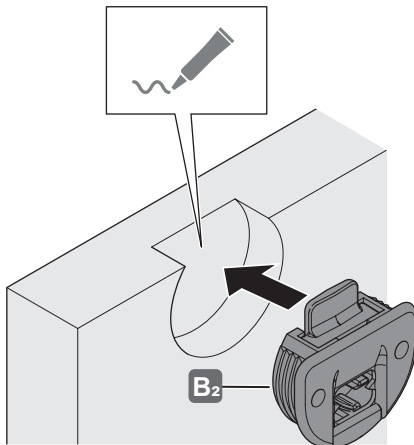
4



A



B



732.24.063

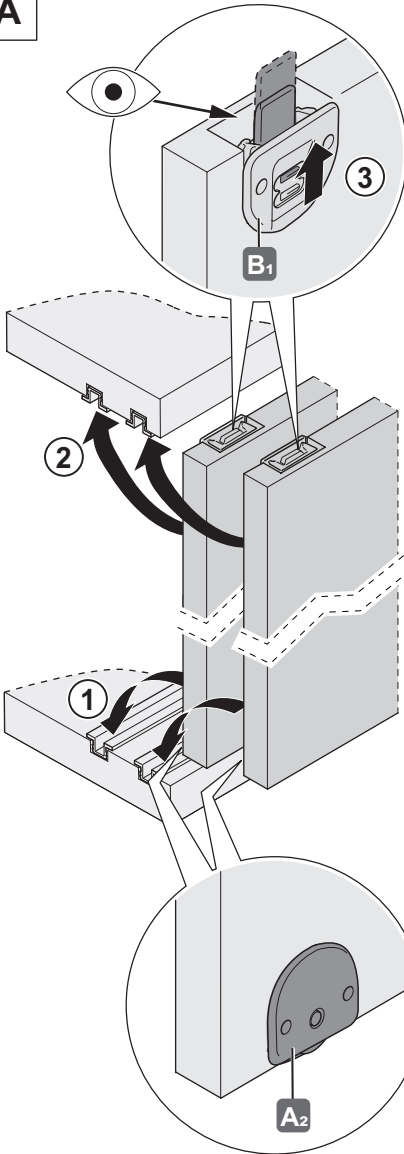
[WS149]

HDE 19.07.2024

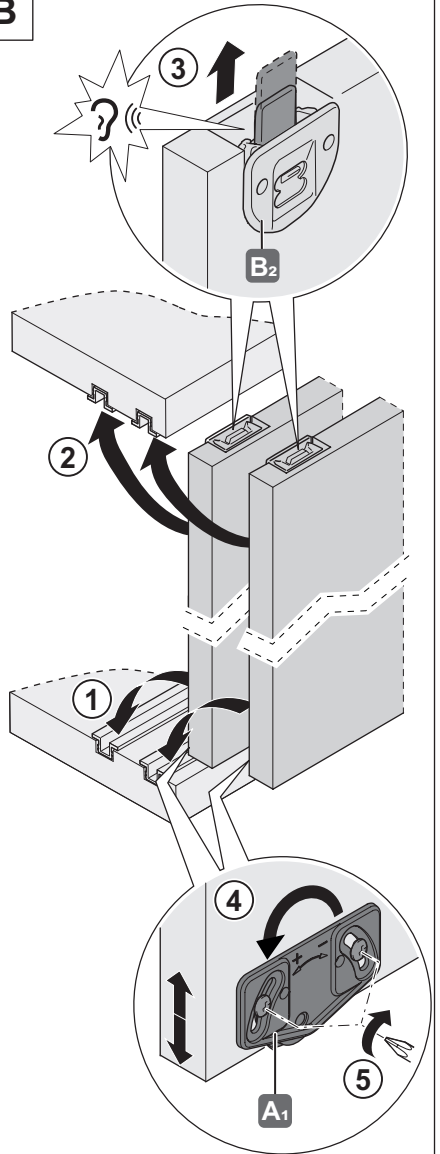
5



A



B



732.24.063

[WS149]

HDE 19.07.2024

732.24.063

[WS149]

HDE 19.07.2024

732.24.063

[WS149]

HDE 19.07.2024

732.24.063

[WS149]

HDE 19.07.2024