

Towel rail with extending runner

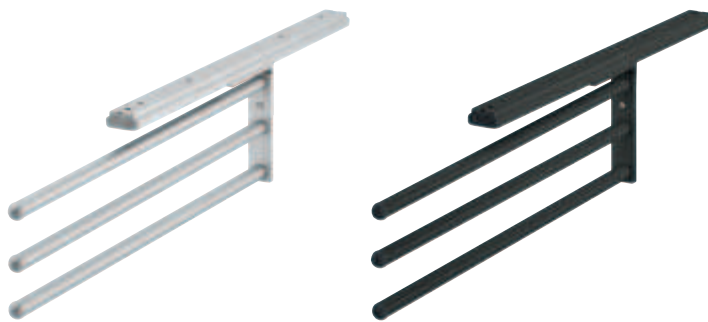
→ With 1, 2 or 3 rails



- > Material: Runner and rails: Aluminium, end caps: Plastic
- > Version: Extending, 2 or 3 rail versions can be swivelled by 90°
- > Length: 460 mm
- > Extension length: 320 mm
- > Installation: For screw fixing at top or side
- > Fixing material supplied

Functionality

2 and 3 rail version towel rails can be swivelled by 90° by loosening the retaining screw.

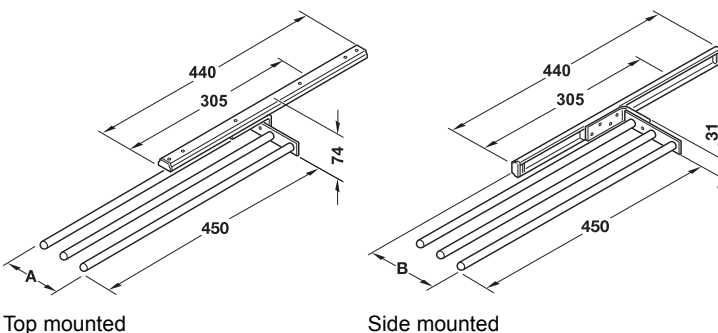


Version	Powder coated white	Silver coloured anodized	Polished chrome coloured	Powder coated, black, RAL 9005
With 1 rail	510.50.715	510.50.915	510.50.215	510.50.315
With 2 rails	510.50.725	510.50.925	510.50.225	510.50.325
With 3 rails	510.50.735	510.50.935	510.50.235	510.50.335

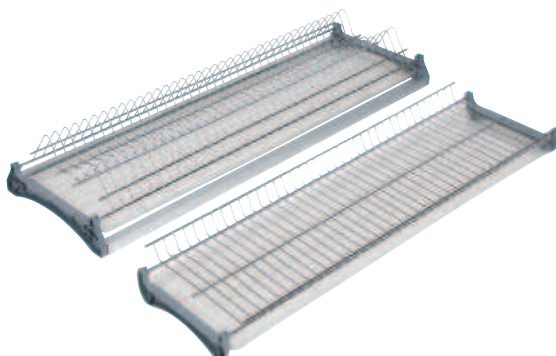
Packing: 1 piece

Installation dimensions

Towel rail version	Top mounted dim. A mm	Side mounted dim. B mm
With 1 rail	31	53
With 2 rails	65	93
With 3 rails	110	138



Drainer grill and tray
For draining dishes



- > Material: Drainer tray: Plastic, drainer grill: Steel
- > Finish/colour: Drainer grill: Chrome plated, side panel bearing: Grey
- > Height: 200 mm
- > Depth: 276 mm
- > For side panel thickness: 16 mm

Supplied with

- 1 drainer grill and tray, flat
- 1 drainer grill and tray, deep
- 4 side panel bearings

	For cabinet width mm	Width mm	Cat. No.
HÄFELE	600	568	544.06.204
	800	768	544.06.206
	900	868	544.06.207

Packing: 1 piece



6

Kitchen Cabinet Fittings

DGH-M-INT 2020, HDE-en, 05/19. Dimensional data not binding. We reserve the right to alter specifications without notice.