

Finetta F-Line32 23A

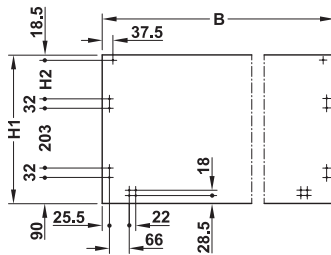


- > Particularly suitable for kitchen cabinets
- > Double-walled side panels or counterweights are not required
- > The door conceals the fitting at all times
- > The door stops in any position

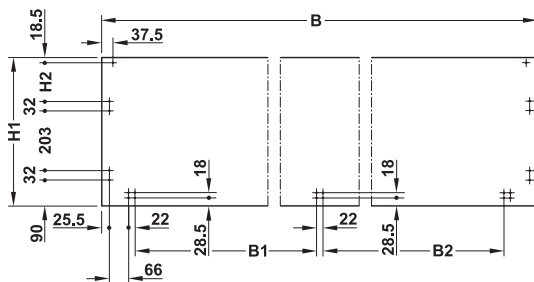


- > Cabinet height: 600 mm
- > Door width: 900, 1,200, 1,800 or 2,400 mm
- > Side panel thickness: 19/20 mm
- > Adjustment facility: Height ± 2 mm

Installation on door



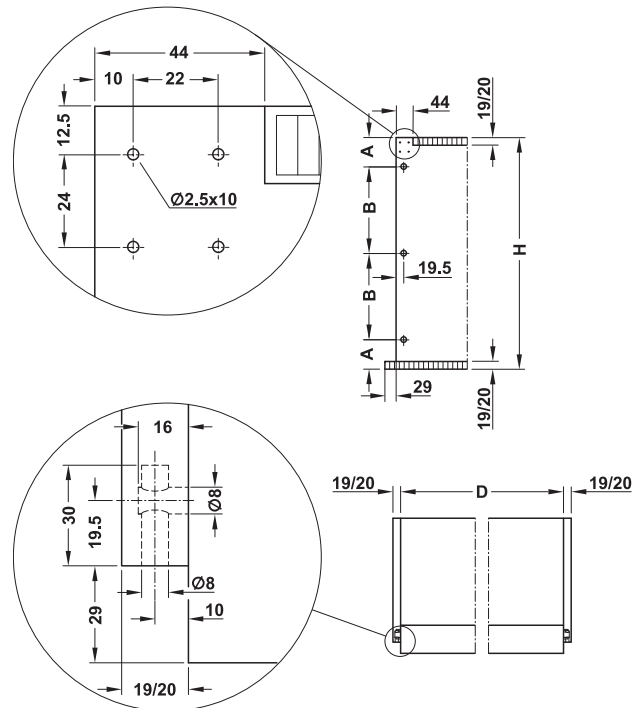
Door width 900 and 1,200 mm



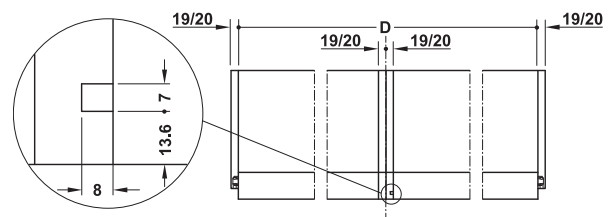
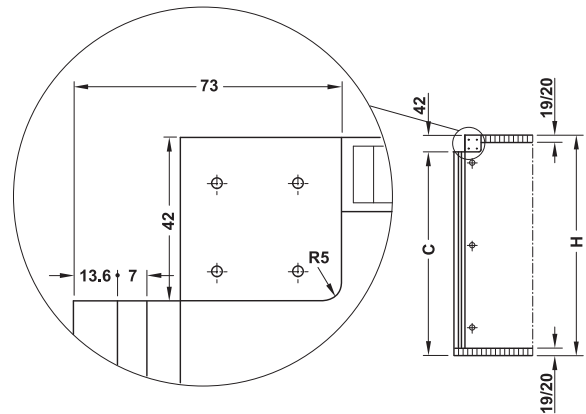
Door width 1,800 and 2,400 mm with centre intermediate panel

Cabinet height H mm	Door height H1 mm	Dim. H2 mm	Door width B mm	Side panel thickness 19/20 mm	
				Dim. B1 mm	Dim. B2 mm
600	597	221.5	900	–	–
			1200	–	–
			1800	733.5	817.5
			2400	1033.5	1113.5

Installation on cabinet



Side panel with all door widths



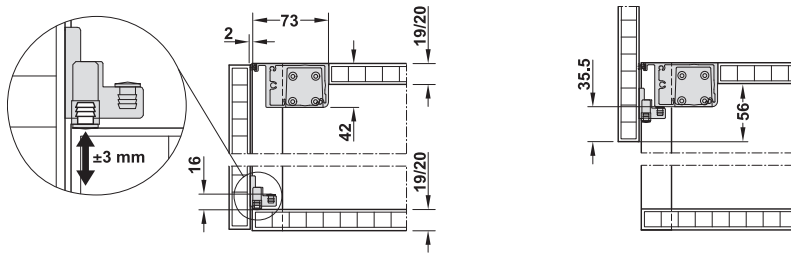
Centre intermediate panel with door widths 1,800 to 2,400 mm

Cabinet height H mm	Dim. A mm	Dim. B mm	Dim. C mm	Door width mm	Dim. D mm
600	76	224	–	900	863
			–	1200	1163
			558	1800	1763

Note

Please note for kitchen constructions: Cabinet width may not be in accordance with intervals of 600 mm, depending on the side panel thickness!

Installation on cabinet



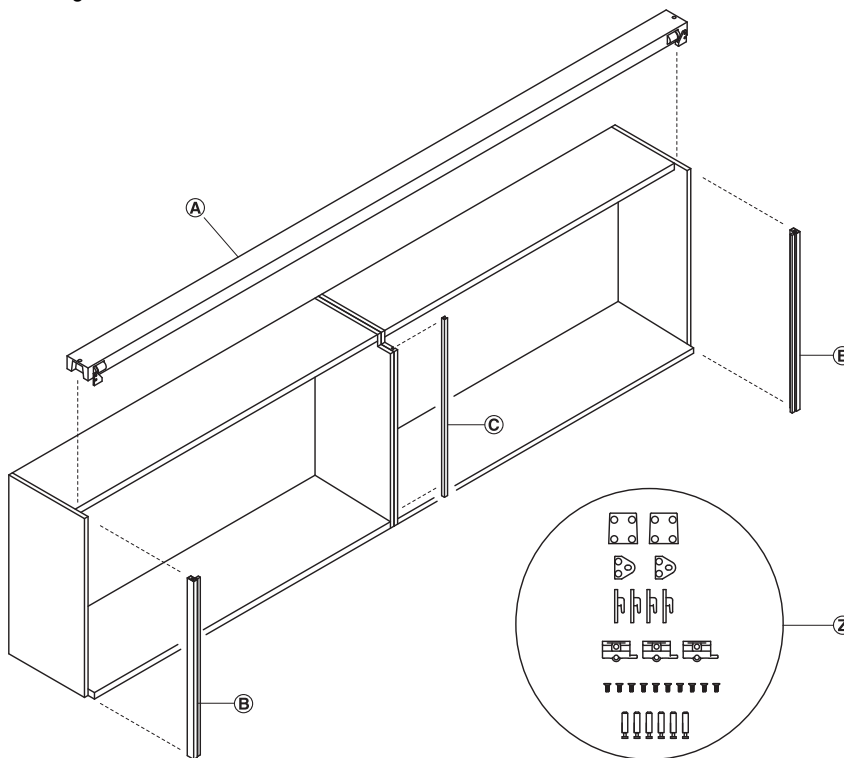
Adjustment of closed door

Door open

→ Set

	Cabinet height mm	Supplied with	Door width mm	Door weight kg	Cat. No.
For 1 door	600	1 supporting aluminium profile 1 pair of sliding tracks, extending 1 sliding track for centre intermediate panel (only for door widths 1,800 and 2,400 mm) Mounting material	900	6–8	403.25.041
			1200	10–12	403.25.051
			1800	15–17	403.25.061
			2400	21–23	403.25.071

Packing: 1 set

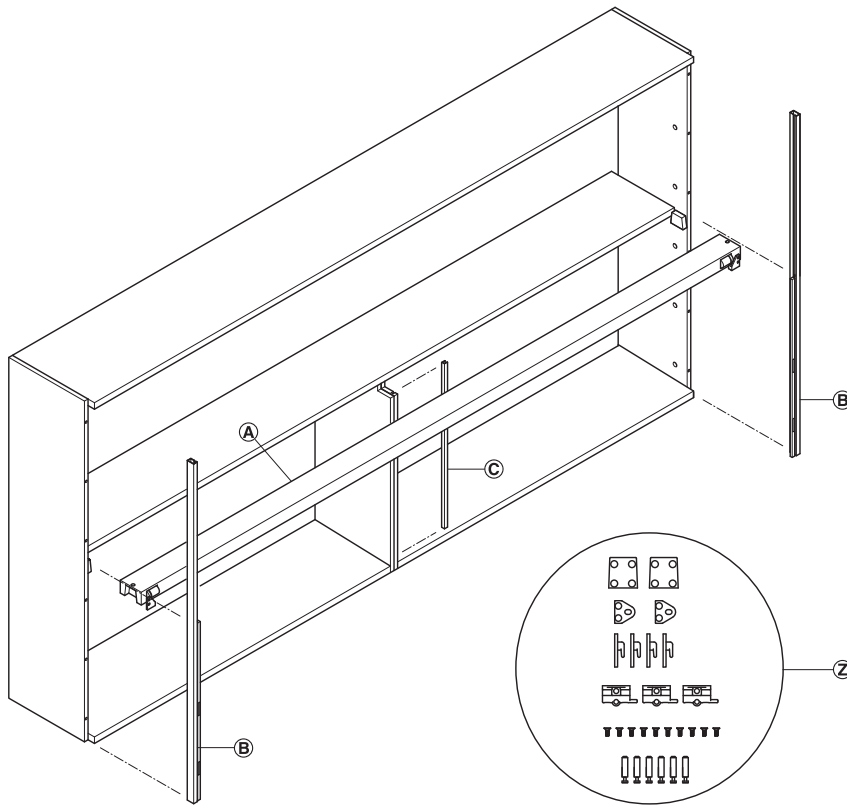


- Ⓐ Supporting aluminium profile
- Ⓑ Sliding track, extending
- Ⓒ Sliding track for centre intermediate panel
(only for door widths 1,800 and 2,400 mm)
- Ⓓ Mounting material

→ Set

	Cabinet height mm	Supplied with	Door width mm	Door weight kg	Cat. No.
For 1 door	882–1178	1 supporting aluminium profile	900	6–8	403.25.080
		1 pair of sliding tracks	1200	10–12	403.25.081
		1 sliding track for centre intermediate panel (only for door width 1,800 and 2,400 mm)	1800	15–17	403.25.082
		Mounting material	2400	21–23	403.25.083

Packing: 1 set



- Ⓐ supporting aluminium profile
- Ⓑ sliding track
- Ⓒ sliding track for centre intermediate panel (only for door widths 1,800 and 2,400 mm)
- Ⓓ mounting material

DGH-M 2021, HDE-en, 1/1/20; Dimensional data not binding. We reserve the right to alter specifications without notice.